

Solar Cable Connector

PV-BN101A Solar Connector



IEC 1500V
UL 1500V



UL: 6703
IEC: 62852



-40°C~90°C



UL94-V0



IP 68



UV Resistance

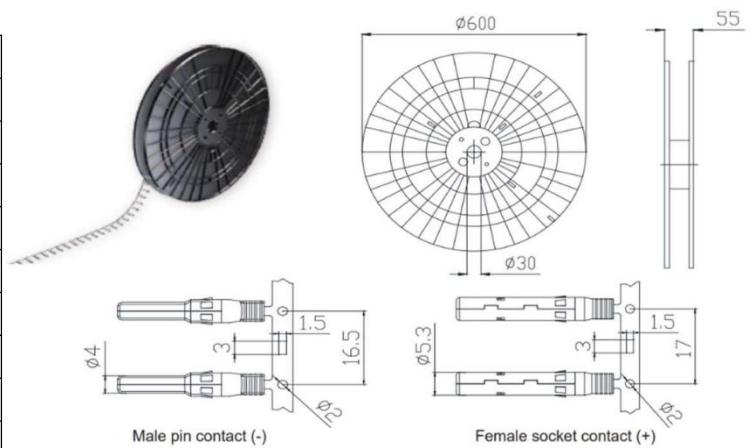


Product Overview

PV-BN101A connectors use high quality materials that guarantee long-term reliability. Lower contact resistance and higher current transfer capability ensure high product efficiency. PV-BN101A connectors have IP68 water-proof rating and can be used in a wide operating temperature range from -40 °C to 90 °C.

Technical Data

Rated Voltage	IEC 1500V/UL1500V
Certification	IEC 62852; UL 6703
Rated Current	35A/40A/45A/55A
Ambient temperature	-40°C up to +90°C
Contact Resistance	≤0.25mΩ
Pollution Degree	Class II
Protection Degree	Class II
Fire Resistance	UL94-V0
Rated Impulse Voltage	16KV
Locking System	NEC Locking Type



PV-BN101A Solar Connector

